

Fast Acting Floor Polish Remover



When dosing concentrate chemicals always use the recommended PPE, and always read the labels to check best practice for handling both the undiluted & ready to use solutions.

Product Usage Guide

Professional



BD095-5



Recommended Dosage

Removal with mop -
800ml per 5 litres of water.

Removal with Machine -
100ml per 5 litres of water.



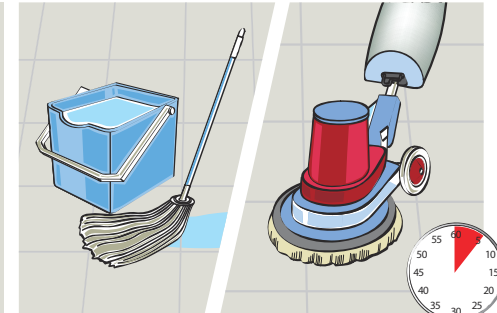
1 Use appropriate PPE as indicated in the Safety Data Sheet.



2 Sweep floor.



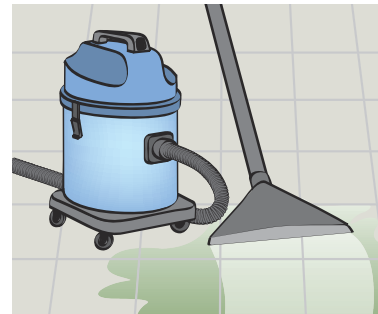
3 Dilute following the recommended dosage guide.



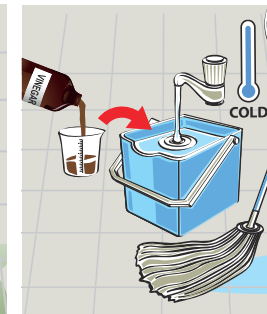
4 Apply solution liberally to the floor using mop or scrubber. Leave for 5 minutes but do not let dry.



5 Agitate with mop or scrub with floor machine with black stripping pad.



6 Remove slurry with wet suction machine or mop.



7 Rinse with a solution of 1 capful of vinegar per 5 litres water to neutralise.



8 Once surface is dry, remove Safety Signs.



Use your preferred Jangro floor seal &/or polish for the best finish.

Health & Safety

Please refer to the Safety Data Sheet



Scan for further product details